



PROJECT		REF		REV	ITEM CODE	
LOCATION		DATE			PAGE	

SANITARY WARE SPECIFICATION SHEET

Item Descriptions	GROHE (Germany) "Plus" Wall-mounted 2-hole basin mixer L-Size with concealed body (projection 203 mm)		<p>Illustration/ Drawing</p>
Dimensions	L203 x W110 mm		
Model	29306003 (Basin mixer) 23200000 (Concealed body)		
Finish	Chrome Plated		
Country of origin	Germany		
Manufacturer	GROHE Limited		
Supplier	Acme Sanitary Ware Co. Ltd Mr. Eric Wong/ Mr. Don Yuen		
Contact Tel/Fax E-mail Website	(852) 2388-7171 / (852) 2710-8012 acme@acmesanitary.com.hk www.acmesanitary.com.hk		
"Plus" 2-hole basin mixer L-Size	<ul style="list-style-type: none"> · wall mounted · set for final installation for 23 200 000 · without concealed body · metal escutcheon · metal lever · GROHE StarLight chrome finish · GROHE EcoJoy SpeedClean mousseur 5.7 l/min · GROHE AquaGuide adjustable mousseur · centre distance 110 mm · projection 203 mm · min. recommended pressure 1 bar 	<p>concealed body</p> <ul style="list-style-type: none"> · for 2 hole basin mixer · wall installation · without finishing trim set · GROHE SilkMove 35 mm ceramic cartridge · adjustable flow rate limiter · installation depth 45 to 75 mm · DR-brass · installation device 	
	<p>29306DC3 29306AL3</p>		
	<p>Colour options:</p> <ul style="list-style-type: none"> ● 003 StarLight Chrome ● DC3 SuperSteel ● AL3 Brushed Hard Graphite 		

Note:

* All information of the above is for the reference only. No prior notice is made if any changes.



PROJECT		REF		REV	ITEM CODE	
LOCATION		DATE			PAGE	

SANITARY WARE SPECIFICATION SHEET

GROHE PLUS

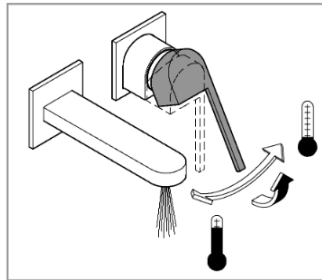


GROHE EcoJoy with water-saving function for reduced consumption

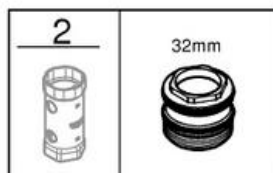
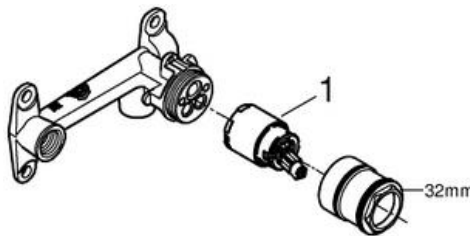
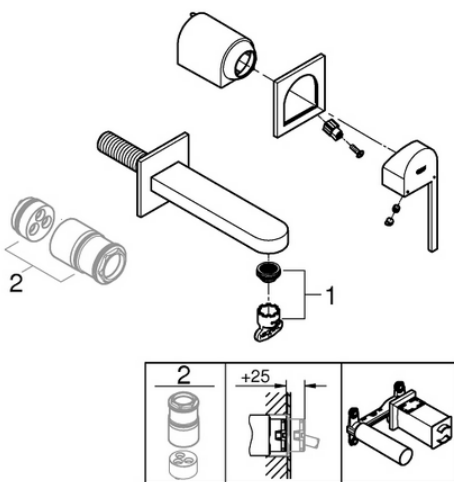
GROHE EcoJoy reduces water consumption by up to 50% without compromising on performance. Whenever you turn on your tap, you will enjoy a full jet of water while saving money nonetheless.

ACCURACY THAT GOES BEYOND DESIGN

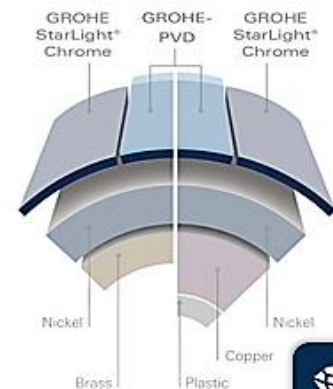
Imagine a bathroom that offers not just sleek, cutting-edge, bold design design, but also confidence and control. Where you can tell water temperature at a glance and switch water flow with just a swipe of your hand. A room where nothing is left to chance, where form delivers function in a sleek, tactile package. With the new GROHE Plus you can make it a reality.



This innovative range puts control and convenience in your hands, delivering accurate temperature information at a glance. The GROHE Plus range includes some faucets with a temperature display, so you know the water will always be just the right temperature. GROHE Plus also offers a new level of ergonomic comfort and practical function too, presented in a silhouette of architectural strength and elegance, with surfaces so sleek they invite interaction.



GROHE StarLight®



GROHE surface hardness

GROHE scratch resistance



Chrome PVD

Chrome PVD

Pos.-nr.	Prod. description	Order-nr.
1	Mousseur	48449000
2	Extension	46943000*

* Optional accessories

Pos.-nr.	Prod. description	Order-nr.
1	Cartridge	46374000
2	Socket spanner	19332000*

* Optional accessories

Note:

* All information of the above is for the reference only. No prior notice is made if any changes.